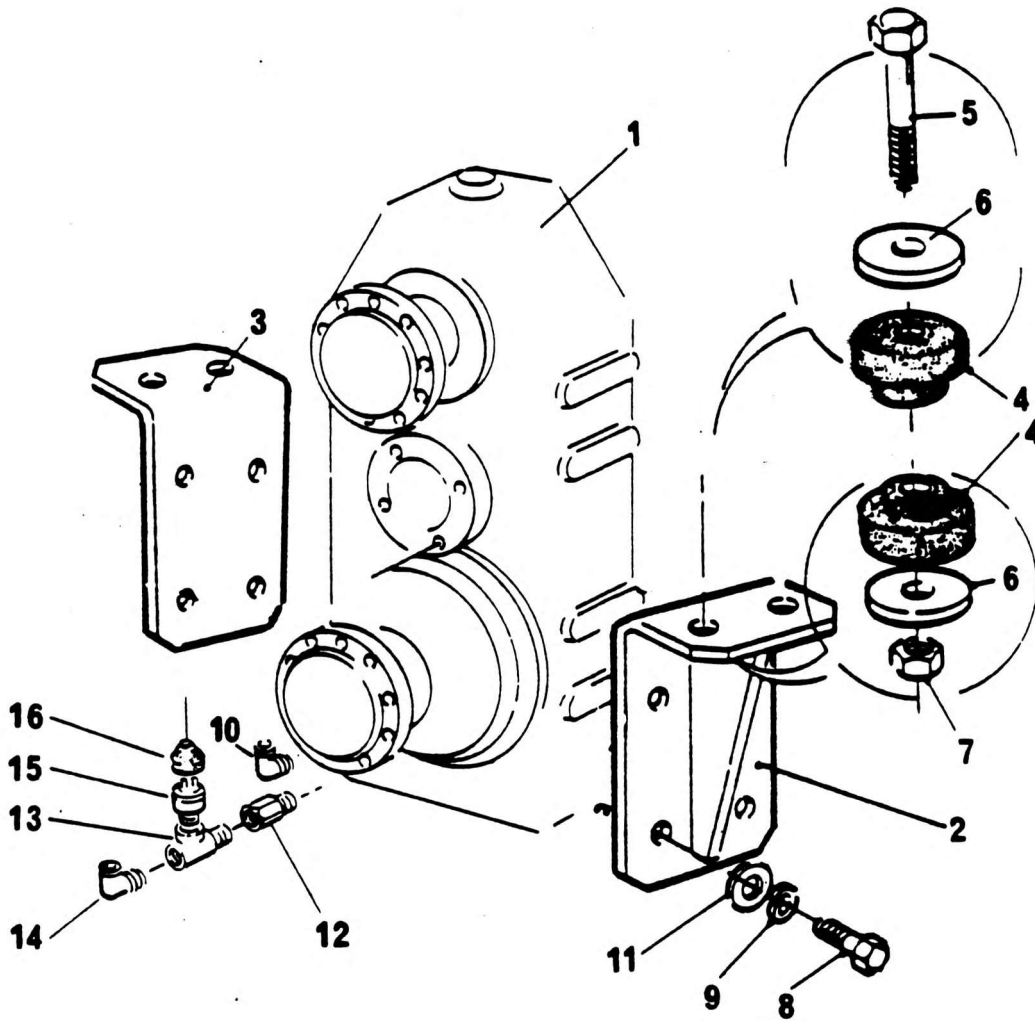


TRANSFER CASE INSTALL



NO.	PART NO	QTY.	DESCRIPTION	NO.	PART NO	QTY.	DESCRIPTION
1	6-274-990009	1	Case Transfer	16	7-172-990005	1	Boot
2	6-184-991780	1	Bracket LH				
3	6-184-991781	1	Bracket RH				
4	7-638-000025	8	Mounting Centre Bonded				
5	7-126-242850	4	Bolt M16 x 120mm Lg				
6	7-949-000148	8	Flatwasher				
7	7-661-241103	4	Nut 16mm Dia.				
8	7-126-241653	8	Screw M16 x 45 Long				
9	7-951-240210	8	Spring Washer M16				
10	7-443-991109	1	Elbow 1/4" x 1/4"				
11	7-951-240014	8	Washer 16m				
12	7-445-040217	1	Reducing Connector				
13	7-888-000033	1	Tee				
14	7-443-991020	1	Elbow				
15	8866088	1	Switch Stoplight				

+ See further breakdown in this group